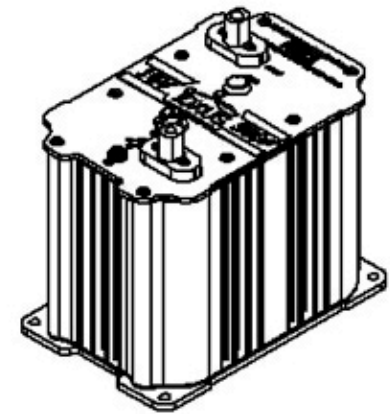
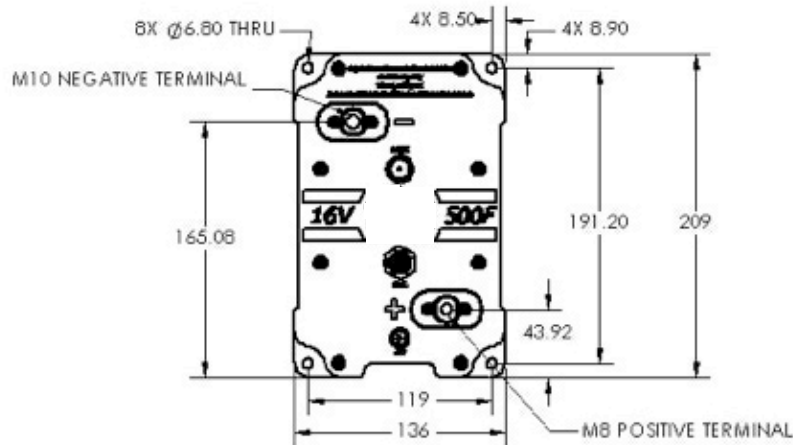
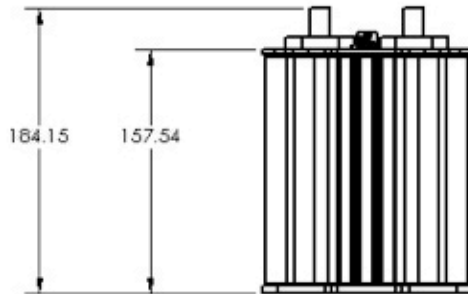


# KBI Gen 3 12 Volt 500F Module Part Number 810010.



Weight: 5.1 kg



October 2016  
Rev. A

ELECTRICAL PROPERTIES (@ 77°F / 25°C)			
OPERATING VOLTAGE WINDOW	7-14.5 VOLTS	INTERNAL RESISTANCE	0.0011 OHMS
ULTIMATE MAXIMUM VOLTAGE	18 VOLTS	CAPACITANCE	525 F
ULTIMATE MINIMUM VOLTAGE	0 VOLTS	MAXIMUM POWER	47 kW
CURRENT LEAKAGE @ 30V	4.5mA	CYCLE LIFE	2,000,000 CYCLES
ENERGY STORED WITHIN OPERATING VOLTAGE WINDOW	42.3 KILOJOULES	ENERGY STORED AT MAXIMUM VOLTAGE	85.1 KILOJOULES